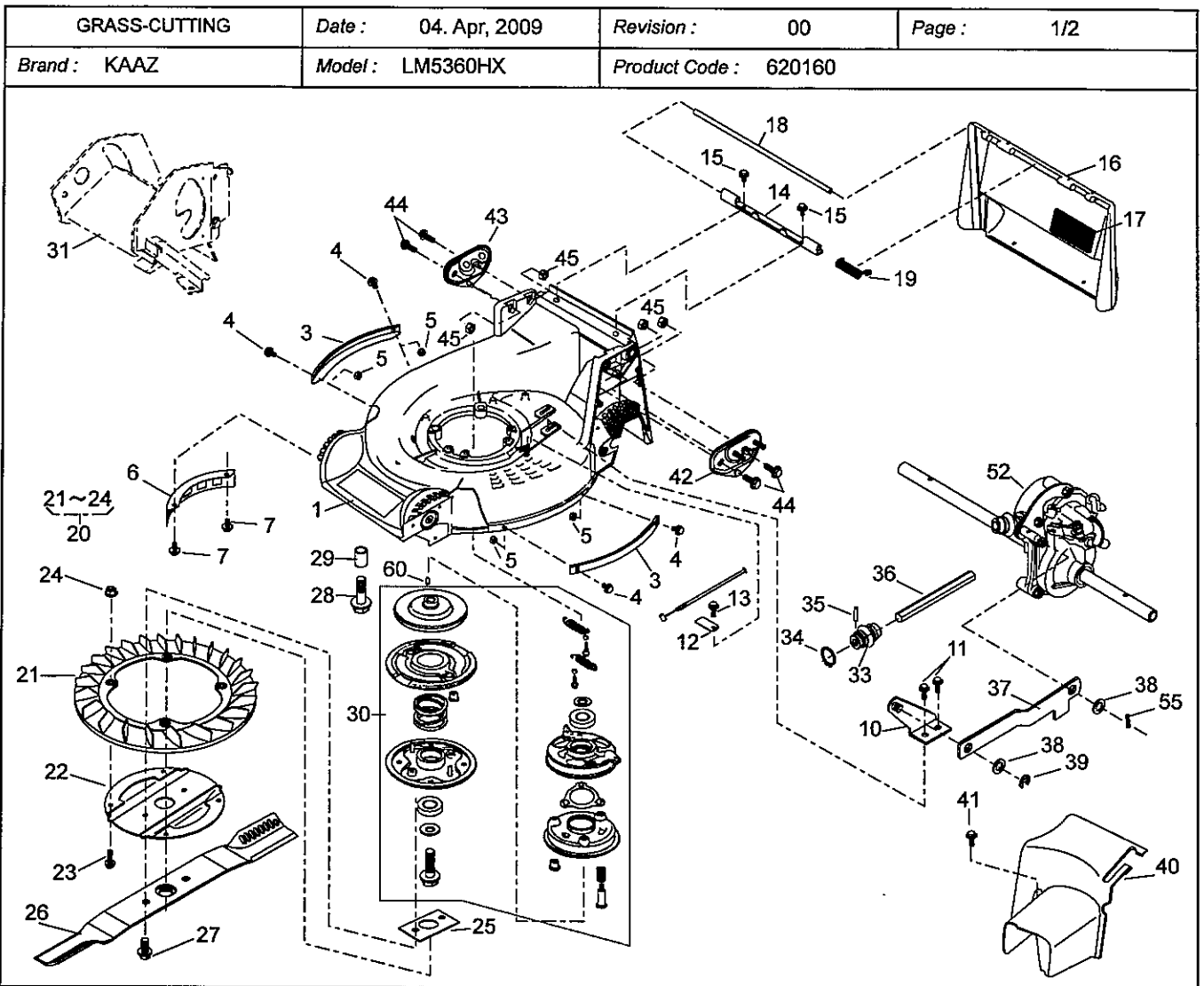
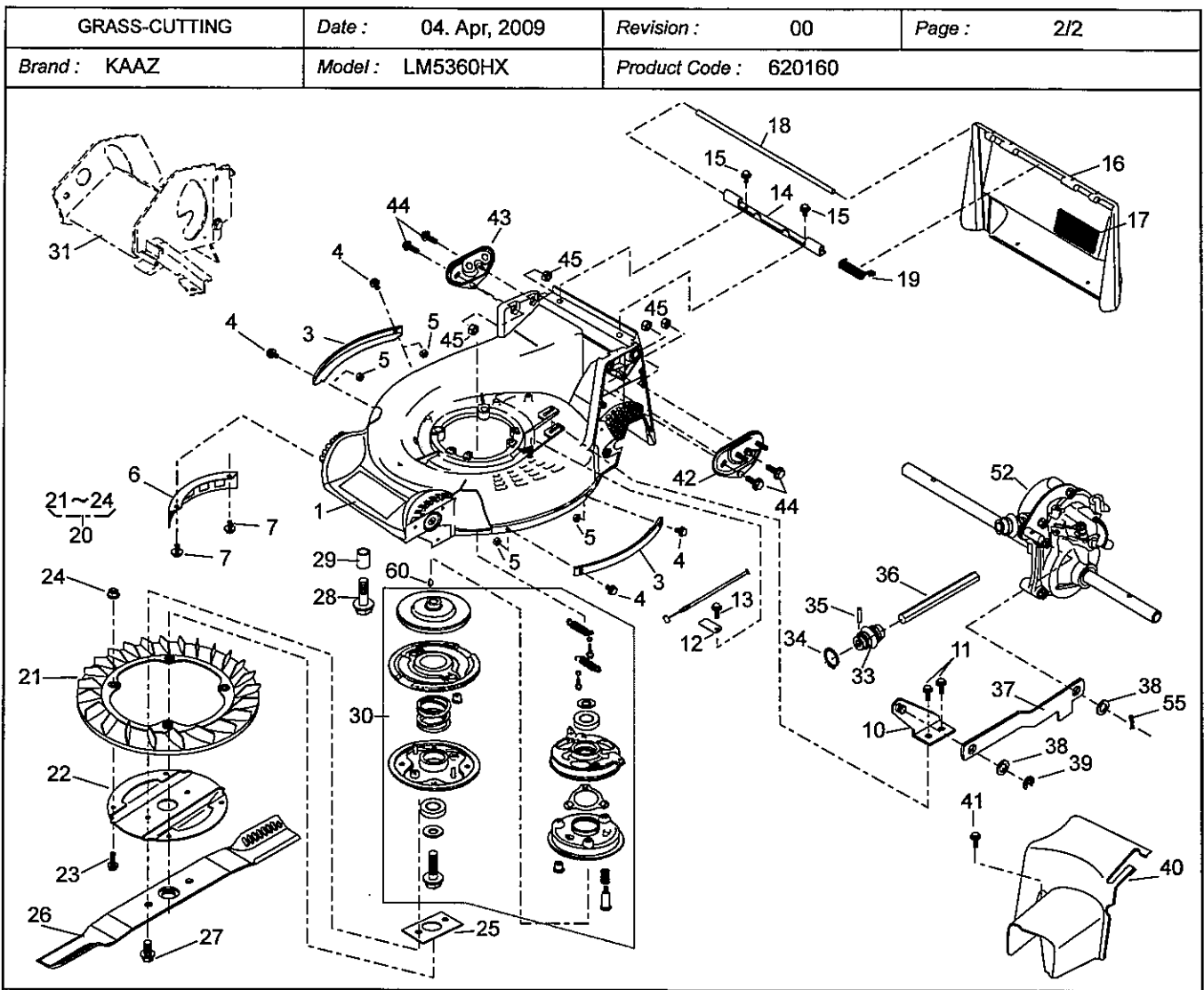


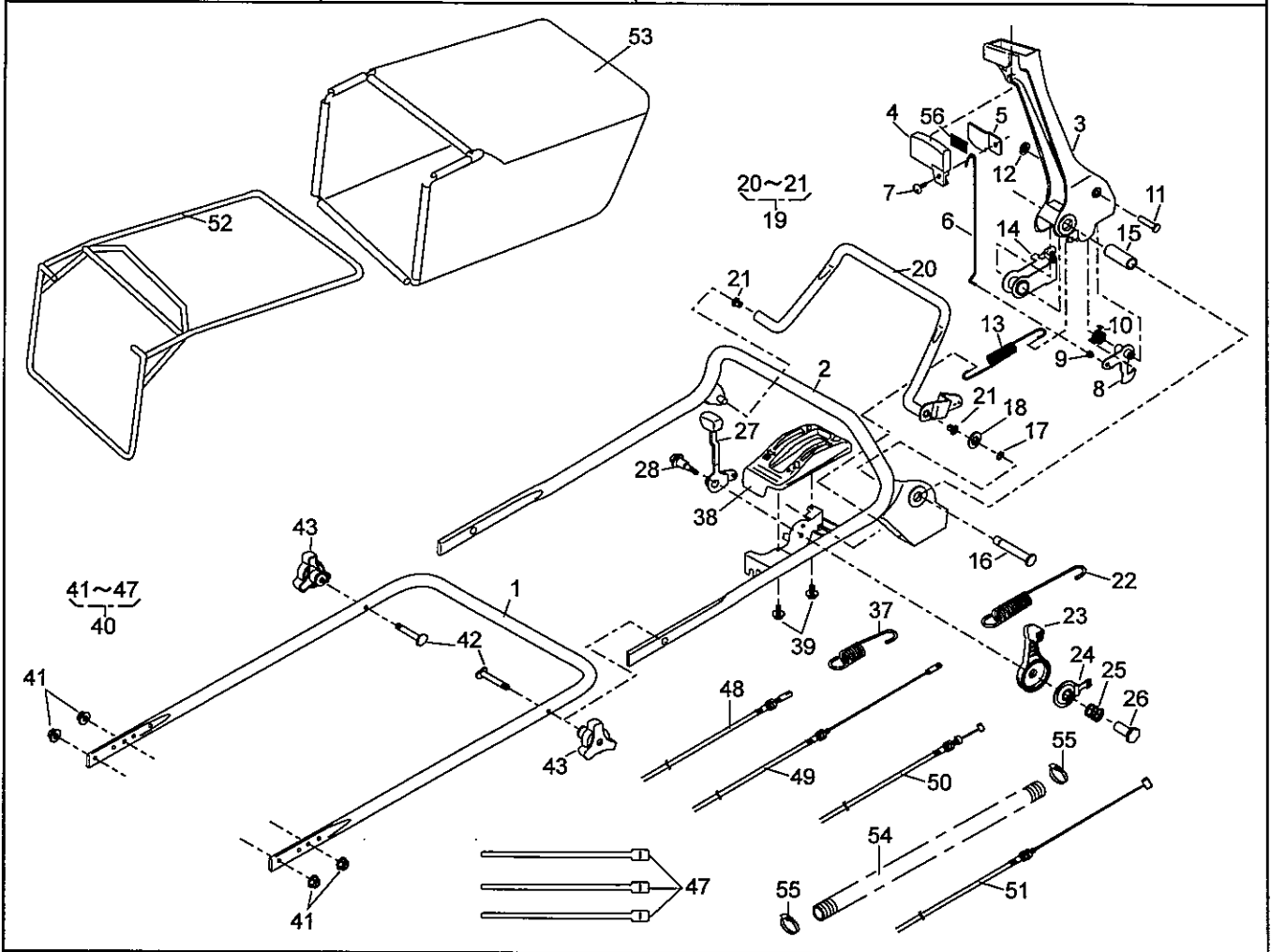
REF. No.	PARTS No.		PARTS NAME	Q'TY			PRICE()	RECOMM.(%) Lot 100	REMARKS
				INCLUDING					
1	71041	136	WHEEL ASSY(A.W.)	2				3	
2	91086	113	TIRE	2				5	
3			WHEEL	2				-	
4	916B	6002	BEARING	4				3	
5	11086	119	STOPPER	2				3	
6	61003	112	THRUST PLATE	2				10	
7	31034	137	PIN	2				10	
8									
9	68036	146	WASHER	2				5	
10	71158	101	RATCHET ASSY(R)	1				-	
11	11102	138	HOLDER	1				10	
12	31034	170	PIN	2				10	
13	68013	266	SPRING	1				10	
14	71158	102	RATCHET ASSY(L)	1				-	
15	11102	138	HOLDER	1				10	
16	31034	170	PIN	2				10	
17	68013	266	SPRING	1				10	
18									
19	31057	181	HEXAGON BOLT	2				3	
20	68036	101	WASHER	2				3	
21	11006	151	STAY C.P.(RL)	1				3	
22	11006	152	STAY C.P.(RR)	1				3	
23	342L	0612	FLANGE BOLT TAPPING	2				3	
24	31057	255	HEXAGON BOLT	2				3	
25	584L	0800	U-FLANGE NUT	2				3	
26	71122	112	ADJUSTER ASSY(L)	1				-	
27	11142	131	ADJUSTER(RL)	1				10	
28	945L	0349	BEARING	1				10	
29									
30	71122	113	ADJUSTER ASSY(R)	1				-	



REF. No.	PARTS No.			PARTS NAME	Q'TY			PRICE()	RECOMM.(%) Lot.100	REMARKS
					INCLUDING					
1	51043	151	42	HOUSING	1				3	
2										
3	51090	117	09	PROTECTOR	2				5	
4	335L	0616		FLANGE BOLT	4				3	
5	512L	0600		HEXAGON NUT	4				3	
6	36065	180		COVER	1				3	
7	342L	0612		FLANGE TAPPING BOLT	2				3	
8										
9										
10	11006	155		STAY C.P.	1				5	
11	342L	0612		FLANGE TAPPING BOLT	2				3	
12	11113	407		STAY	1				3	
13	342L	0612		FLANGE TAPPING BOLT	1				3	
14	11113	292		STAY	1				3	
15	342L	0612		FLANGE TAPPING BOLT	2				3	
16	36068	196	46	GUARD	1				3	
17	36080	149		RUBBER SHEET	1				3	
18	64014	324		SHAFT	1				3	
19	68013	336		SPRING	1				3	
20	71082	111		FAN ASS'Y	1				-	
21	51125	103		FAN	1				5	
22	11102	151		HOLDER	1				5	
23	31062	169		PRE-COAT LOCK BOLT	4				5	
24	579L	0600		FLANGE NUT	4				5	
25	61024	208		SPACER	1				3	
26	91014	188		BLADE	1				15	
27	31057	197		HEXAGON BOLT	2				15	
28	31057	243		HEXAGON BOLT	4				3	
29	61024	142		SPACER	3				3	
30	71067	106		BRAKE ASS'Y	1				-	



REF. No.	PARTS No.		PARTS NAME	Q'TY		PRICE()	RECOMM.(%) Lot.100	REMARKS
					INCLUDING			
31			COVER UNIT (Ref. P/L Housing for151,-154)				-	
32								
33	91097	101	UNIVERSAL JOINT	1			3	
34	812V	2000	C-SNAP RING		1		1	
35	717B	0418	PARALLEL PIN		1		5	
36	64014	358	SHAFT	1			3	
37	91049	135	CONNECTOR	1			5	
38	68036	280	WASHER		2		3	
39	816V	0800	E-SNAP RING		1		5	
40	36065	438	COVER		1		3	
41	342L	0616	FLANGE TAPPING BOLT		1		3	
42	51116	149	HANDLE BRACKET(L)		1		3	
43	51116	150	HANDLE BRACKET(R)		1		3	
44	31057	255	HEXAGON BOLT		4		3	
45	512L	0800	HEXAGON NUT		4		3	
46								
47								
48								
49								
50								
51								
52	71008	275	GEAR CASE ASS'Y		1		-	
53								
54								
55	733L	1000	SNAP PIN		1		5	
56								
57								
58								
59	122039		ENGINE:HONDA GXV160H2-SFL1-R280		1		-	
60			WOODRUFF KEY		1		-	



NOTE	REF. No.	PARTS No.	PARTS NAME	Q'TY			PRICE()	RECOMM.(%) Lot.100	REMARKS
					INCLUDING				
	31								
	32								
	33								
	34								
	35								
	36								
	37	68013 161	SPRING	1					
	38	71900 796	COVER ASS'Y	1					
	39	470L 0514	(+)TAPPING SCREW	2					
	40	71900 895	BOLT SET	1					
	41	569L 0800	FLANGE NYLON NUT	4					
	42	31057 134	HEXAGON BOLT	2					
	43	36061 118	KNOB	2					
	44								
	45								
	46								
	47	68028 118	WIRE BAND	3					
	48	91003 125	CONTROL CABLE	1					
	49	91003 170	CONTROL CABLE	1					
	50	91001 329	THROTTLE WIRE (GXV120/GXV160)	1					
	51	91003 169	CONTROL CABLE (BBC)	1					
	52	11062 178	FRAME C.P.	1					
	53	36098 132	GRASS BAG C.P. (KAAZ)	1					
	54	41003 201	TUBE (15.6x800L)	1					
	55	68028 119	WIRE BAND	2					
	56	36080 156	RUBBER SHEET	1					
	57								
	58								
	59								
	60								